

ALTEMPO Work Light with Long and Short Beam Series



■ **Functions :**

On-Short Beam-Long Beam-Off

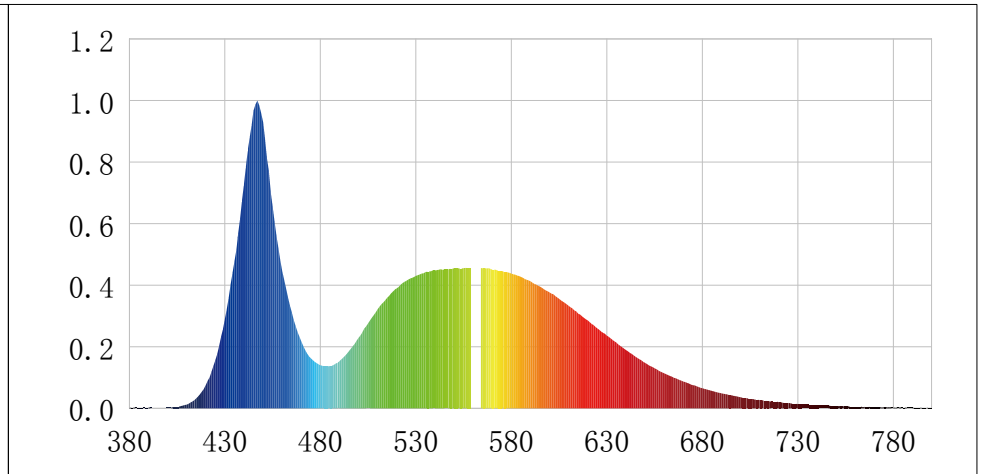
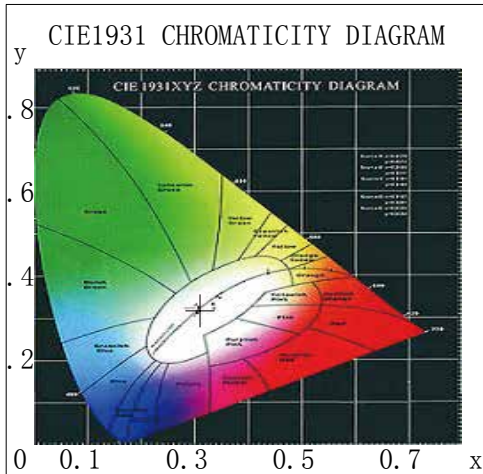
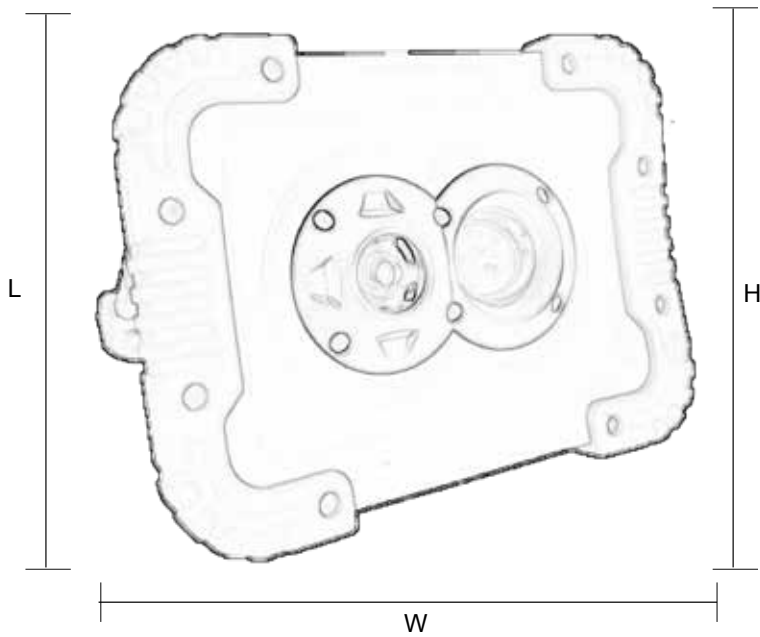


■ **Product Spec:**

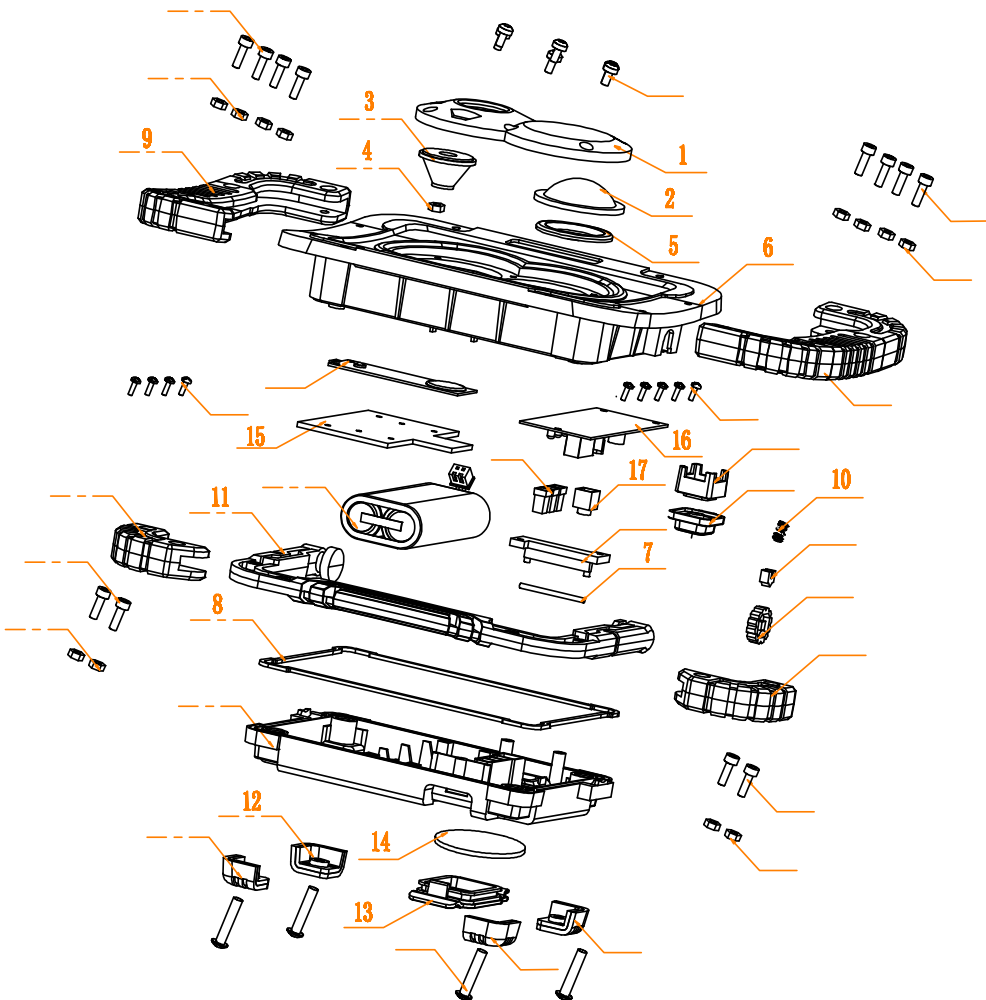
Product Code	N.W.	Dimension L*W*H [mm]	Power [W]	Battery	Efficiency [lm/W]	Color Temp[K]	CRI	Material	Working time	Charging time
AL-TEMPFL5/10WB2	360g	172*127*46mm	10+5W	4*AA(excluded)	800lm	3000K-6000K	≥80	Nylon+TPR	4-5hrs	Non
AL-TEMPFL5/10WUSB2	471g	172*127*46mm	10+5W	2*2200mAH lithium	800lm	3000K-6000K	≥80	Nylon+TPR	5-6hrs	5hrs



■ **Dimension(mm):**



Construction Map



Product	Texture of material
1 Decoration ring	ABS
2 Near-field lens	PC
3 High light lens	PC
4 Far hot hot film	PC
5 Reflecting rack	PC
6 Lower cover	Nylon
7 Axis	Stainless steel
8 Lower cover	Nylon
9 Jacket bracket-Left	TPR
10 Spring	Iron
11 Bracket	Nylon
12 Sheath-Lower cover	TPR-ABS
13 Buckle cap	PC
14 Cover sealing ring	Silica gel
15 Radiator	Nylon
16 Electronic components	FR4
17 Indication switch	ABS

■ Package Details:

